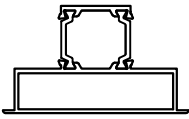
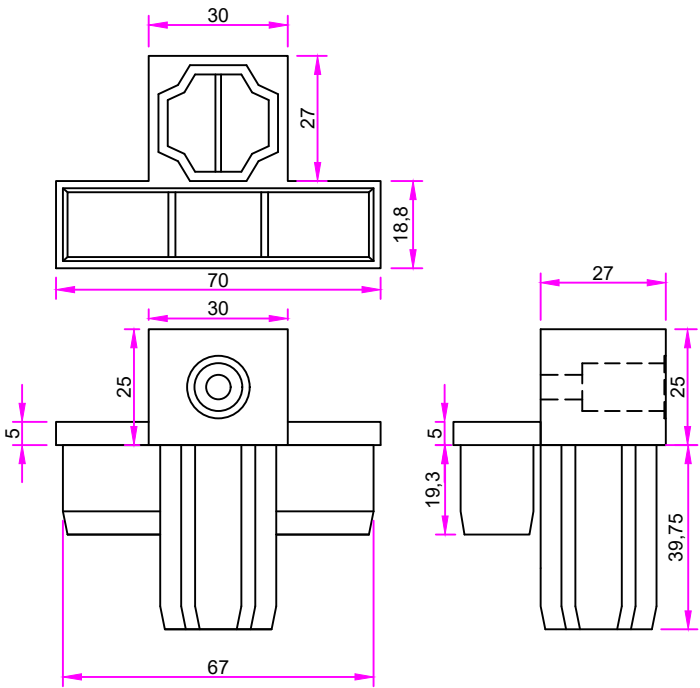


NTBOJ 4050



ATBOP 4045



UNLESS OTHERWISE SPECIFIED TOL. ON DIMS. ARE WITHIN ±0.2mm

PART NAME	NTBOJ 4050	MATERIAL	NYLON PA6+ 30% G.F.	UNSPECIFIED RADIUS 0.2 MM	
DRG. NO		DRAWN BY	KIRAN		
FITMENT REF.	ATBOP 4050	CHECKED BY			
FITMENT DRG. NO	18	TECHNOCAB HVAC SOLUTIONS PVT. LTD.			
SCALE	1:1	Silver Strick, Plot No-64A, Sector-19, Koperkhairane,			
DATE	05/11/2019	Navi Mumbai-Maharashtra- India			