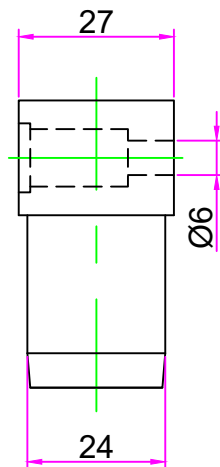
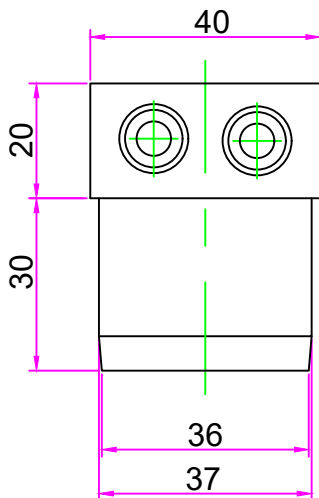


JNT 4025



SI4025



UNLESS OTHERWISE SPECIFIED TOL. ON DIMS. ARE WITHIN $\pm 0.2\text{mm}$

PART NAME	JNT 4025	MATERIAL	NYLON PA6 + 30% GF	UNSPECIFIED RADIUS 0.2MM	
DRG. NO	60	DRAWN BY	KIRAN		
FITMENT REF.	SI 4025	CHECKED BY			
FITMENT DRG. NO	3	TECHNOCAB HVAC SOLUTIONS PVT. LTD. Silver Strick, Plot No-64A, Sector-19, Koperkhairane, Navi Mumbai-Maharashtra- India			
SCALE	1:1				
DATE	01/11/2019				