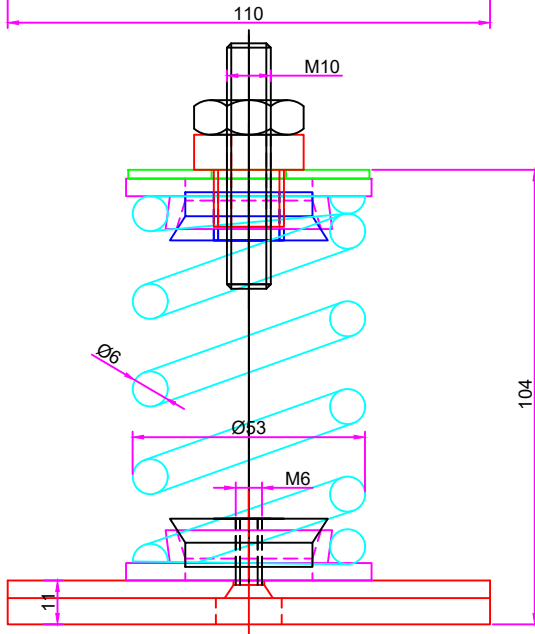
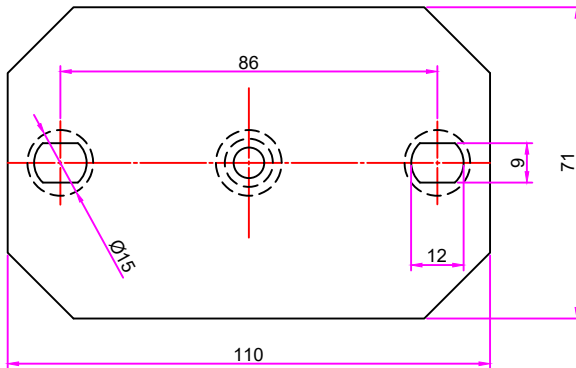


TS1S



UNLESS OTHERWISE SPECIFIED TOL. ON DIMS. ARE WITHIN $\pm 0.2\text{mm}$

PART NAME	TS1S	MATERIAL	Spring Steel	UNSPECIFIED RADIUS: 0.3MM	
DRG. NO	17	DRAWN BY	KIRAN		
FITMENT REF.		CHECKED BY			
FITMENT DRG. NO	19	TECHNOCAB HVAC SOLUTIONS PVT. LTD.			
SCALE	1:1	Silver Strick, Plot No-64A, Sector-19, Koperkhairane, Navi Mumbai-Maharashtra- India			
DATE	05/11/2019				