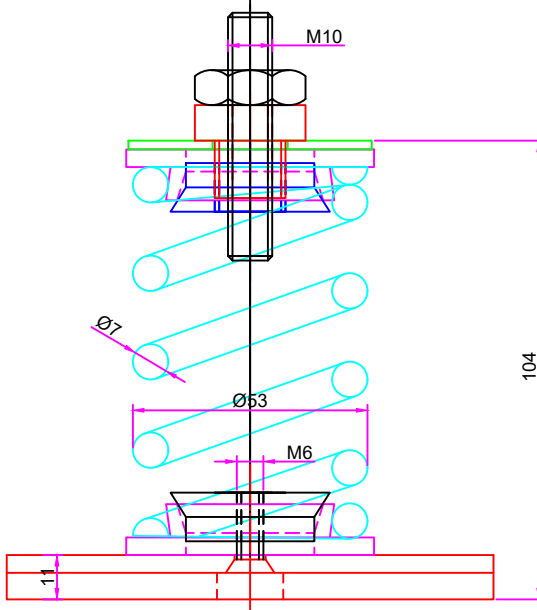
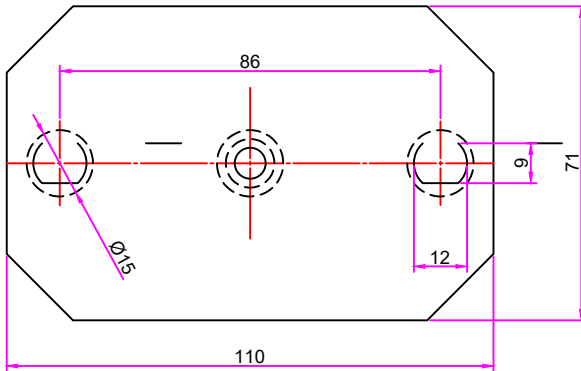


# TS2S



UNLESS OTHERWISE SPECIFIED TOL. ON DIMS. ARE WITHIN  $\pm 0.2\text{mm}$

PART NAME	TS2S	MATERIAL	Spring Steel	UNSPECIFIED RADIUS: 0.3MM	
DRG. NO	17	DRAWN BY	KIRAN		
FITMENT REF.		CHECKED BY			
FITMENT DRG. NO	19	<b>TECHNOCAB HVAC SOLUTIONS PVT. LTD.</b> Silver Strick, Plot No-64A, Sector-19, Koperkhairane, Navi Mumbai-Maharashtra- India			
SCALE	1:1				
DATE	05/11/2019				