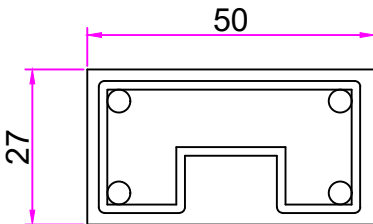
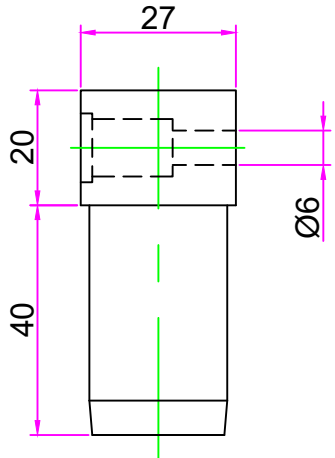
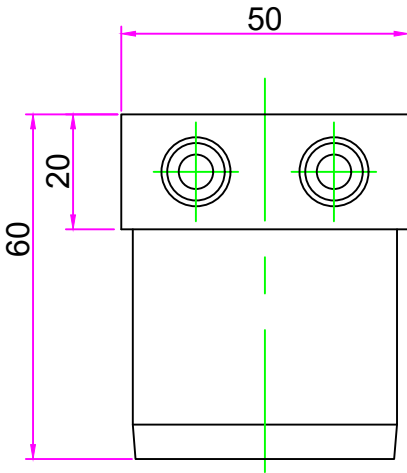


JNT5025



UNLESS OTHERWISE SPECIFIED TOL. ON DIMS. ARE WITHIN $\pm 0.2\text{mm}$

PART NAME	JNT 5025	MATERIAL	NYLON PA6+ 30% GF	UNSPECIFIED RADIUS 0.2MM	
DRG. NO	66	DRAWN BY	KIRAN		
FITMENT REF.		CHECKED BY			
FITMENT DRG. NO		TECHNOCAB HVAC SOLUTIONS PVT. LTD.			
SCALE	1:1	Silver Strick, Plot No-64A, Sector-19, Koperkhairane, Navi Mumbai-Maharashtra- India			
DATE	01/11/2019				